

**Characteristics**

Pilot-operated check valves from the Parker Manapak series CPOM are sandwich plate valves designed for stacking beneath a directional valve with a standardised mounting pattern. Depending on the function required, one or two pilot-operated check valves are arranged in the ports A and/or B. The free flow direction is always from the valve side to the manifold side.

**Function**

The check valves open when flowing to the consumer side, where the opposing check valve is hydraulically-mechanically pilot-operated simultaneously by a control spool, and thus the return flow is enabled from other consumer sides.

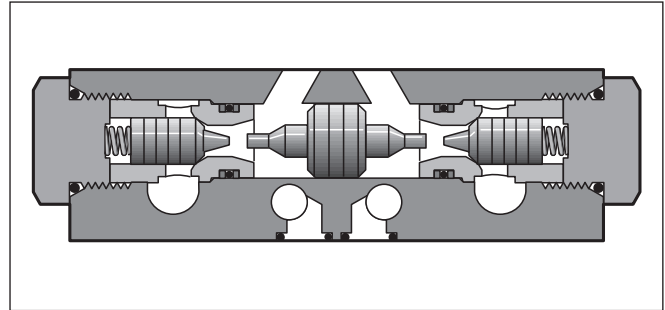
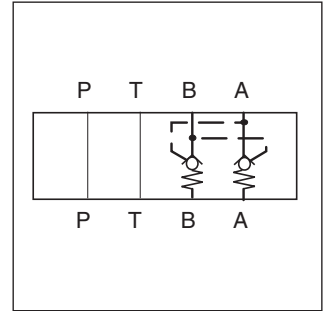
**Features**

- The valve bodies of the Parker Manapak valve series CPOM are made of steel.
- The valve poppet is precisely guided into the steel sleeve and ensures a good seal on the seat. This metallic sealing configuration is subject to the criteria as a result of metallic line contact and operational wear.
- When the valve poppet is open, the large cross-section allows high flow rates at low differential pressure.

Different control ratios can be chosen with the NG6 and NG10 valves.



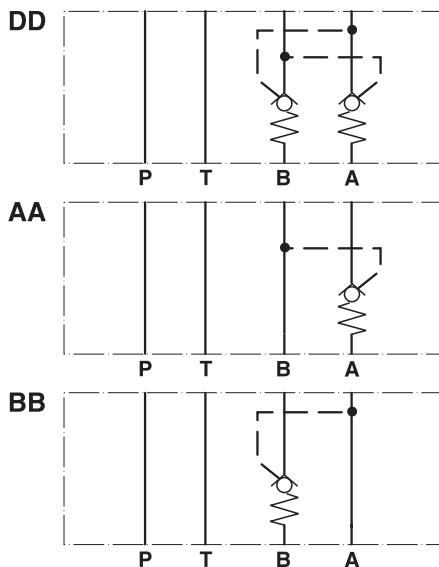
Model CPOM3



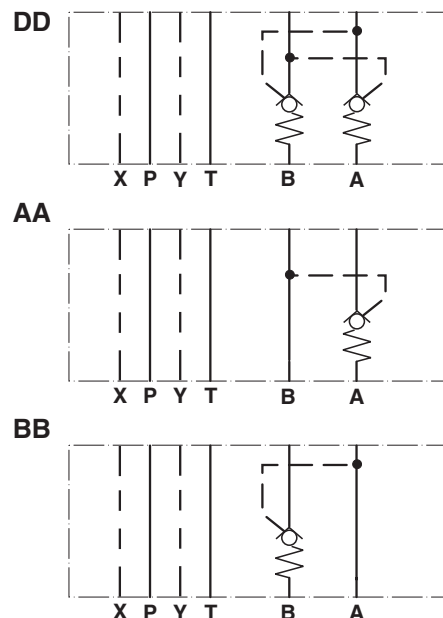
**Characteristics**

Port size	DIN	NG6	NG10	NG16	NG25
	CETOP NFFPA		03 D03	05 D05H	07 D07
Mounting pattern	DIN 24430, ISO 4401, CETOP RP21, NFFPA				
Series	<b>CPOM2</b>	<b>CPOM3</b>	<b>CPOM4</b>	<b>CPOM6</b>	
Working pressure	350 bar	350 bar	350 bar	210 bar	
Opening pressure	1.0 bar	0.8 bar	0.5 bar	0.4 bar	
Control ratio	1 : 3 or 1 : 7	1 : 3 or 1 : 6.5	1 : 2.4	1 : 3	
Weight [kg]	1.8	4.0	7.4	9.5	

**CPOM2 / CPOM3**

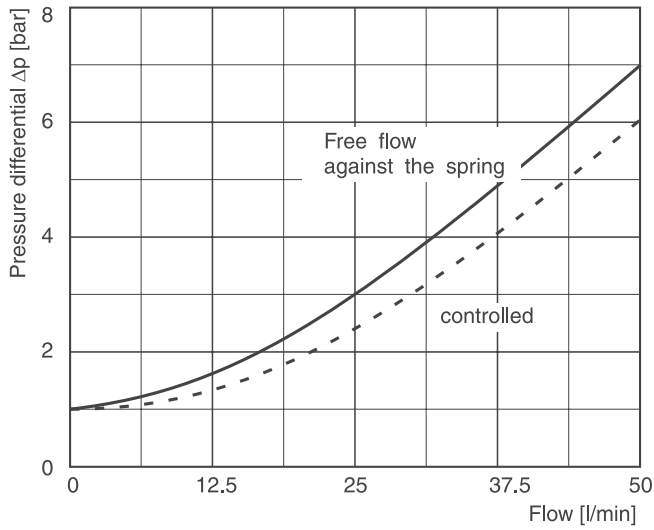


**CPOM4 / CPOM6**

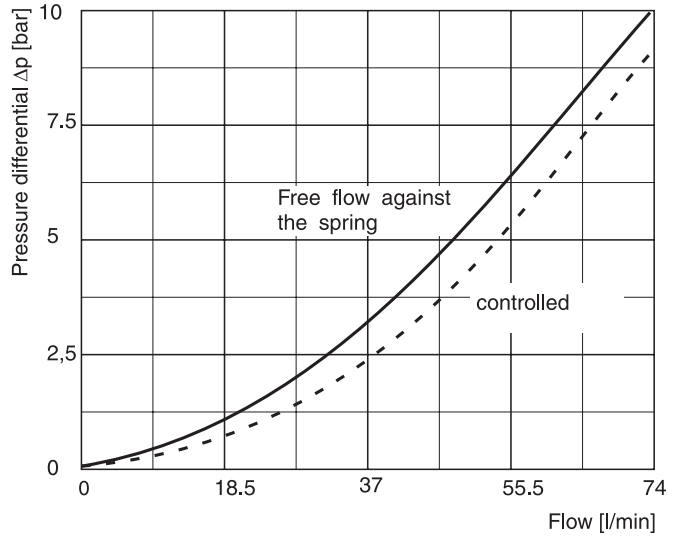


CPOM\_gb.PM6.5MM

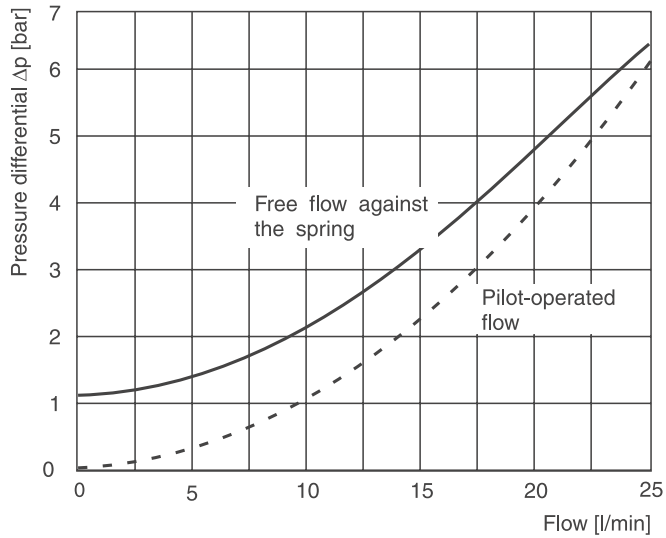
**$\Delta p/Q$  performance curves**  
**Model CPOM2**



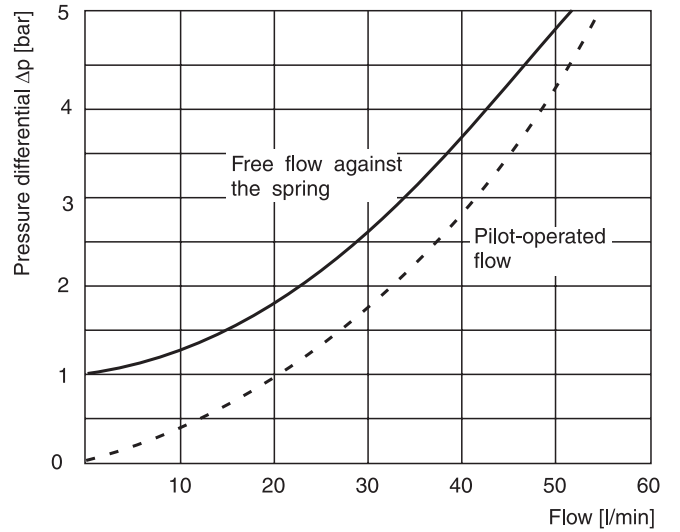
**Model CPOM3**



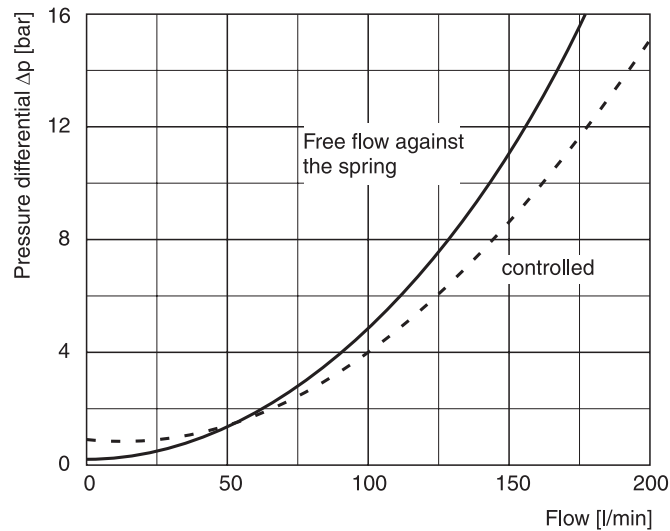
**Model CPOM2\*BB (type HT)**



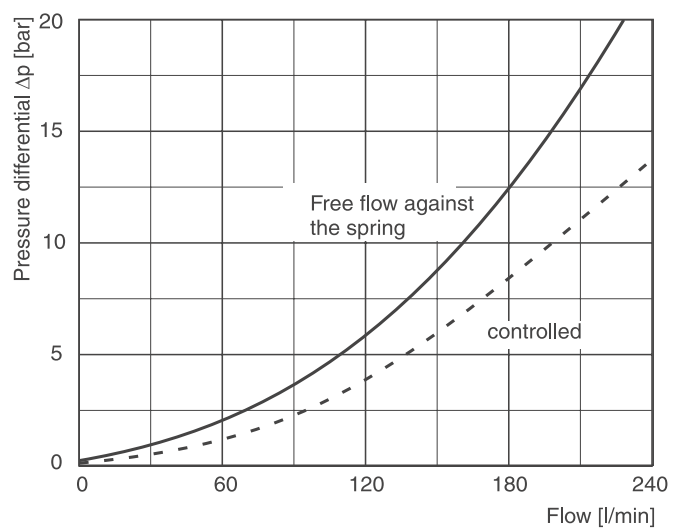
**Model CPOM3\*BB (type HT)**



**Model CPOM4**

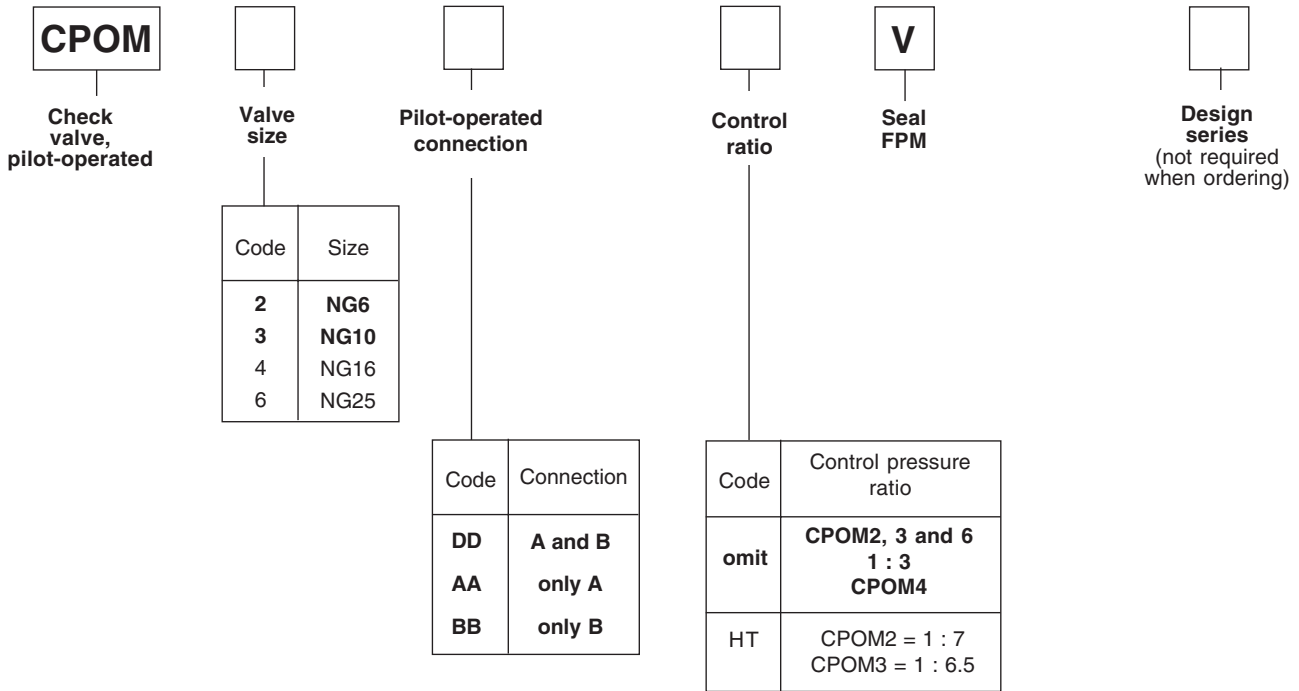


**Model CPOM6**



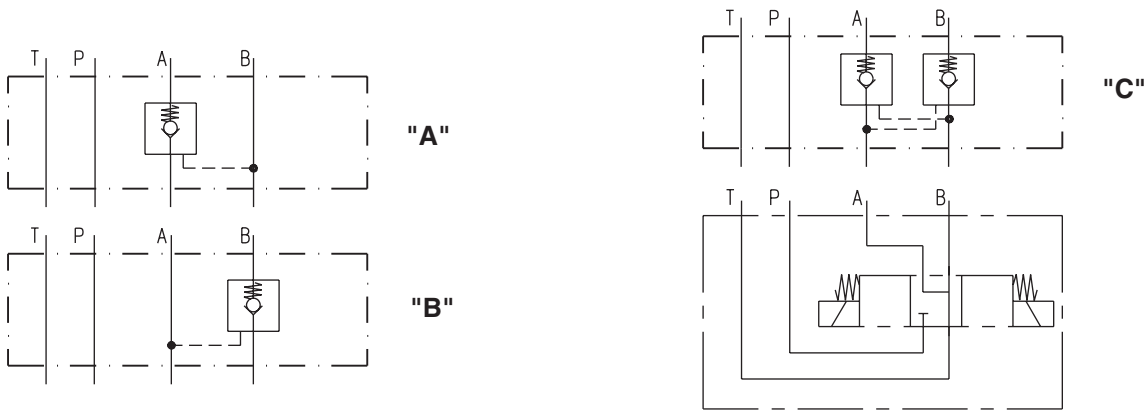
CPOM\_gb.PM6.5MM

7



**Bold letters =**  
Short-term availability

**Switch code**



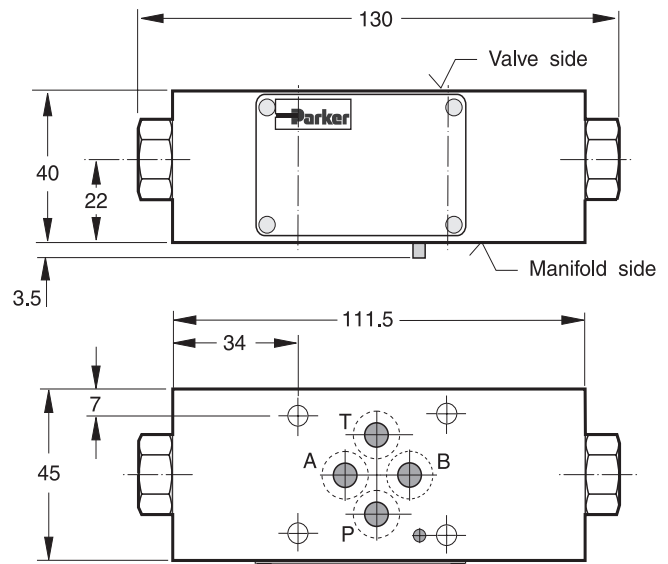
**Dimensions**

**CPOM2**

**Note:**

The O-rings for sealing the connecting surface of the manifold side are included. The O-rings and positioning pins are always mounted on the manifold side.

Seal kit CPOM2		
Control ratio	Seal	Order code
HT	V	SK-CPOM2-V-11
	N	SK-CPOM2 HT

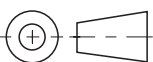
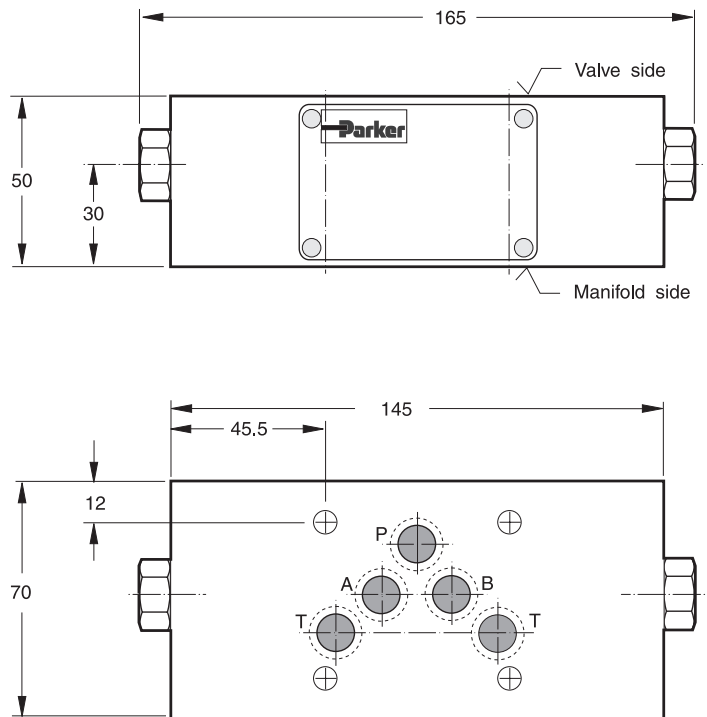


**CPOM3**

**Note:**

The O-rings for sealing the connecting surface of the manifold side are included. The O-rings and positioning pins are always mounted on the manifold side.

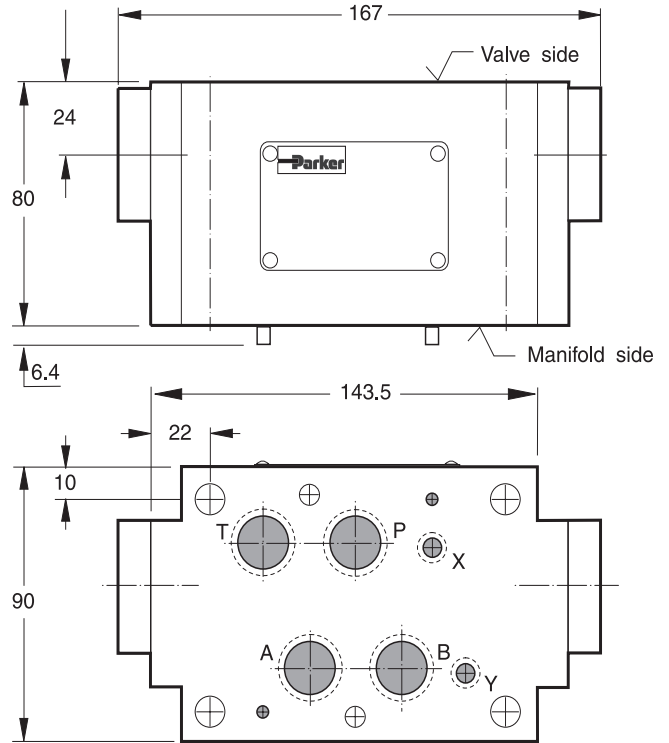
Seal kit CPOM3	
Seal	Order code
V	SK-CPOM3-V-11



**CPOM4**

**Note:**

The O-rings for sealing the connecting surface of the manifold side are included. The O-rings and positioning pins are always mounted on the manifold side.

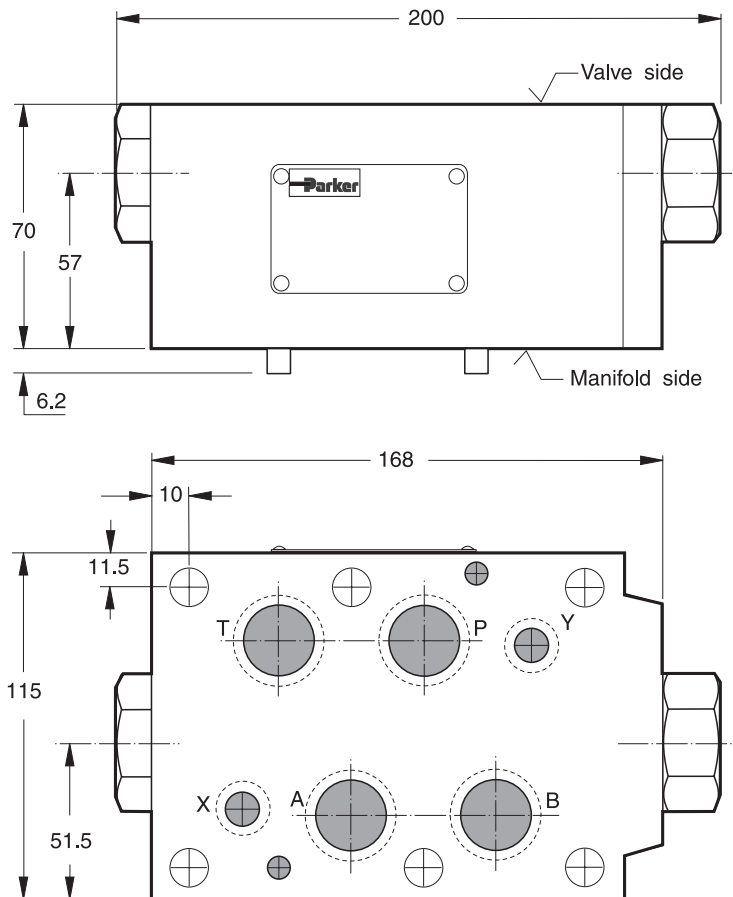


Seal kit CPOM4	
Seal	Order code
V	SK-CPOM4V-10

**CPOM6**

**Note:**

The O-rings for sealing the connecting surface of the manifold side are included. The O-rings and positioning pins are always mounted on the manifold side.



Seal kit CPOM6	
Seal	Order code
V	SK-CPOM6-V-20



CPOM\_gb.PM6.5MM